

PROJECT :	
MODEL # :	
ITEM # :	QTY :
AVAILABLE W/H :	
APPROVAL :	

## Ice Maker



**BLUI-150A**



**BLUI-250A**



**BLMI-300A/BLMI-500A**

### STANDARD FEATURES

BLUI-150A PRODUCES UP TO 150 LBS. OF ICE DAILY  
BLMI-300A PRODUCES UP TO 300 LBS. OF ICE DAILY

BLUI-150A HAS 60 LBS. OF BUILT IN STORAGE CAPACITY  
BLMI-300A HAS 490 LBS. OF BUILT IN STORAGE CAPACITY

UNITS PRODUCE INDIVIDUAL CRESCENT ICE CUBES

DURABLE STAINLESS STEEL CABINET

STAINLESS STEEL EVAPORATOR

BLUI-150A EQUIPPED WITH SLIDE IN DOOR

REMOVABLE AIR FILTER

DIGITAL SELF DIAGNOSTIC SYSTEM  
*POWER SWITCH IS ACCESSIBLE WITHOUT PANEL REMOVAL*

OPTIONAL BUILT-IN INSTALLATION  
*BLUI-150A MODEL ONLY*

ENVIRONMENTALLY FRIENDLY REFRIGERANT  
*R-134A OR R-404*

ENERGY STAR CERTIFIED



WARRANTY  
3 Years Parts  
2 Years Labor  
5 Years on Compressor in USA

APPROVALS:

AVAILABLE AT:

# Ice Maker

## Product plan View

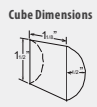
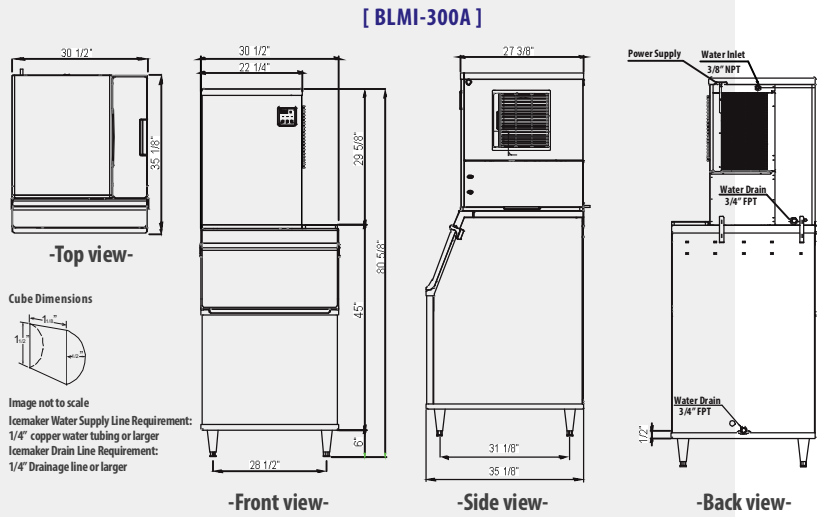
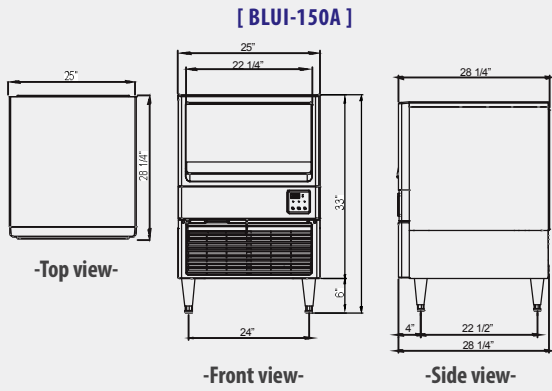
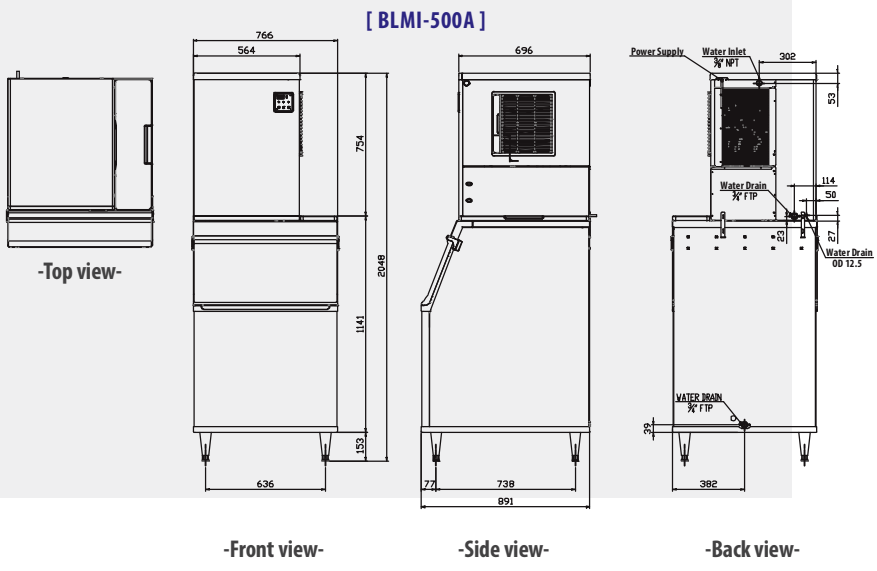
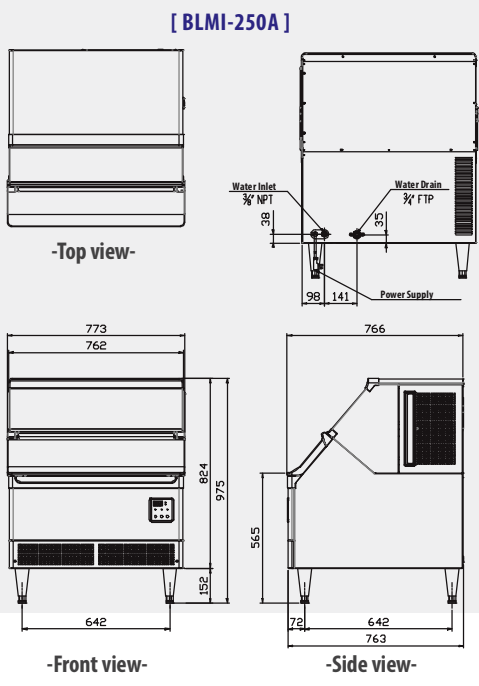


Image not to scale  
Ice maker Water Supply Line Requirement:  
1/4" copper water tubing or larger  
Ice maker Drain Line Requirement:  
1/4" Drainage line or larger



## Product Specification

### Ice Maker

Model	Product Description			Shape of Ice		Cord Length (ft/m)			
	Ice Maker			Crescent shaped		9.8ft (3m)			
	Refrigerant		Voltage			NEMA Config.		Condenser	
	R-134a or R-404a		115V/60Hz			NEMA5-15		Air-Cooled	
Ice Production Per Cycle		Cabinet Dimensions (inches)				HP	Amps	Net Weight (lbs/kg)	Ship Weight (lbs/kg)
Lbs.	Cubes	L	D	H					
BLUI-150A	2.75	130	25"(635mm)	28 1/4"(717mm)	39"(990mm)	1/3	7	123(56)	143(65)
BLUI-250A	4.5	225	30 7/16"(773mm)	30 3/16"(767mm)	39"(990mm)	1/2	9.5	147(66)	169(77)
BLMI-300A	9.5	460	30 1/2"(777mm)	35 1/8"(892mm)	81"(2072mm)	1/2	9	133(60)	159(79)
BLMI-500A	16	775	30 1/2"(777mm)	35 1/8"(892mm)	81"(2072mm)	3/4	11	138(62)	165(74)

\* BLUE AIR has the right to change specifications without further notice.



<http://www.blueairinc.com>  
info@blueairinc.com  
Toll Free. 1.866.677.8500

223 W. Rosecrans Ave., Gardena, CA., 90248  
T.310.808.0102, F.310.808.0242

9 W. Shelton Terrace #A, Hillside, NJ., 07205  
T.908.688.0970, F.908.688.8143