



# EUF27A/48A

## One and Two Section Full Stainless Undercounter Freezer

EUF27A/48A  
10/30/20  
Item # 13569

### W x D x H

27" x 30" x 33.75"  
(including 4" casters)

### W x D x H

47.75" x 30" x 33.75"  
(including 4" casters)

Item #: \_\_\_\_\_  
 Project: \_\_\_\_\_  
 Qty: \_\_\_\_\_  
 AIA#: \_\_\_\_\_



## Features

- Engineered to maintain NSF-7 temperatures of 100° ambient
- Stainless steel exterior front, sides, and top
- Front breathing air flow design
- Environmentally friendly R290 hydrocarbon refrigerant
- Spring assisted self-closing doors with stay open feature
- Stainless steel exterior door(s)
- Field reversible doors
- Stainless steel interior floor with aluminum sides, rear, and top
- Heavy duty grey epoxy coated shelves are adjustable in 1/2" increments; 1 per section. 105 lbs. capacity
- Aluminum shelf supports are adjustable in 1/2" increments
- Standard with 4" casters (two with brakes)
- 9 ft. cord and plug
- Container Qty:  
EUR27A: 88  
EUR48A: 46



### Dimensions / Capacity

	One Section EUF27A	Two Section EUF48A
<b>Interior Storage Capacity</b> (CF) (AHAM)	6.33 ft <sup>3</sup>	12.09 ft <sup>3</sup>
<b>Overall Width x Depth</b>	27" x 31.25"	47.75" x 31.25"
<b>Height</b> (including 4" casters)	33.75"	33.75"
<b>Door Opening (W x H)</b>	22.6" x 22.75"	19.5" x 22.75"
<b>Depth with Door Open at 90°</b>	55.75"	52.75"
<b>Adjustable Shelves</b>	1	2
<b>Shelf Dimensions (W x D)</b>	22" x 16"	21.25" x 16"
<b>Crated Shipping Weight</b>	200 lbs.	290 lbs.
<b>Crated Length x Depth x Height</b>	33" x 29" x 37"	52" x 33" x 37"

### Electrical / Refrigeration

	One Section EUF27A	Two Section EUF48A
<b>Voltage</b>	115/60/1	115/60/1
<b>HACR Breaker</b>	15.0 Amps	15.0 Amps
<b>Electrical Connection</b> (NEMA)	5-15P Ⓢ	5-15P Ⓢ
<b>Voltage Range</b>	115-127	115-127
<b>Ambient Temp. Range</b>	45° to 100°F	45° to 100°F
<b>Control Setpoint Range</b>	-5° to 5°F	-5° to 5°F
<b>Amperage</b>	1.2	1.7
<b>Energy Consumption</b> (kWh/day) @ASHRAE	1.92	3.44
<b>Approx. Nominal Compres.</b> BTU/HR (HP)	993(1/5)	1468(1/3)
<b>Refrigerant / Charge Amount</b> (oz.)	R290 / (1.9oz)	R290 / (2.3oz)

### Options

### Warranty

\* 2 Year - Parts and Labor on entire machine.  
 5 Year - Parts on Compressor  
 Valid in United States, Canada, Puerto Rico and U.S. Territories. Contact factory for warranty in other countries.

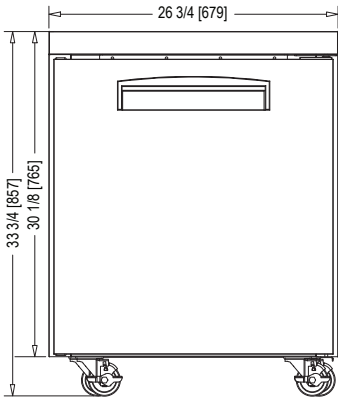


# EUF27A/48A

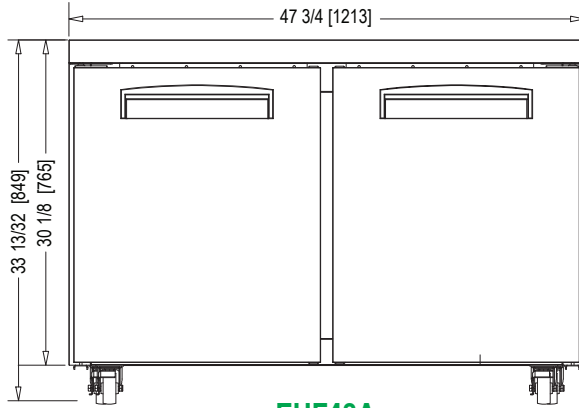
One and Two Section Full Stainless Undercounter Freezer

EUF27A/48A  
10/30/20  
Item # 13569

## FRONT VIEW

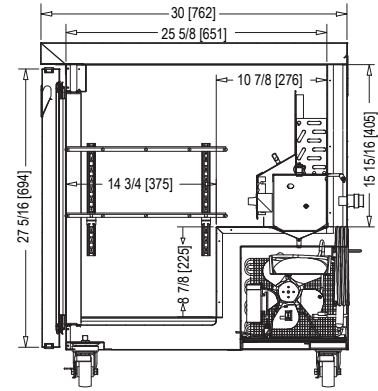


EUF27A

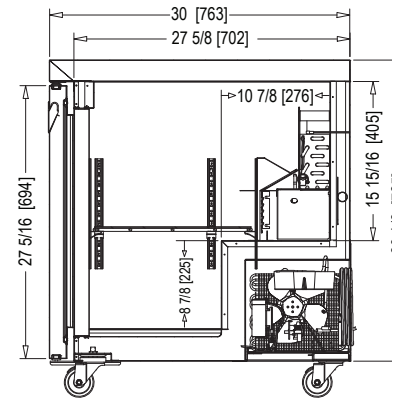


EUF48A

## SIDE VIEW

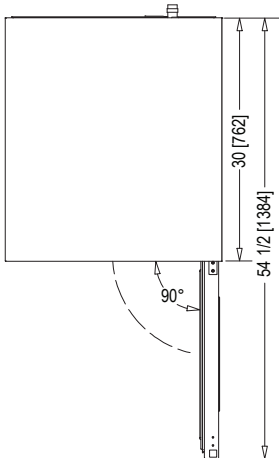


EUF27A

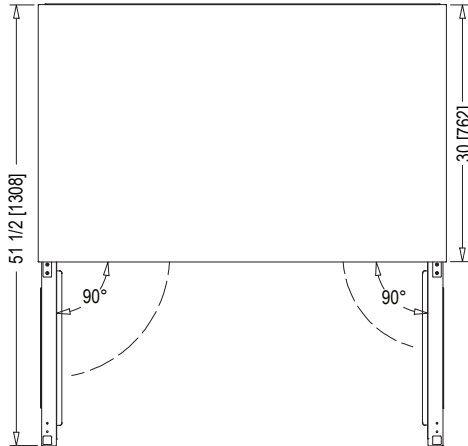


EUF48A

## PLAN VIEW

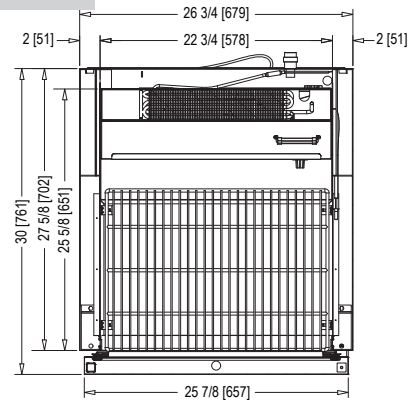


EUF27A

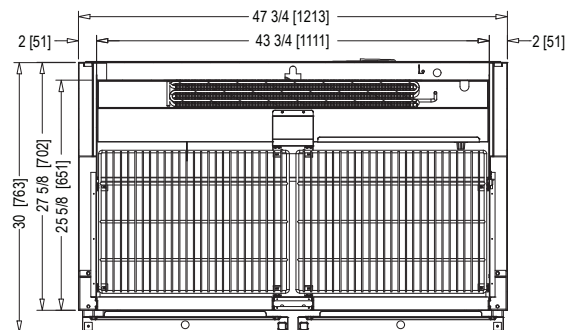


EUF48A

## REAR VIEW



EUF27A



EUF48A